

Model 3950-3953



## Points

Smooth three- or four-way transfers

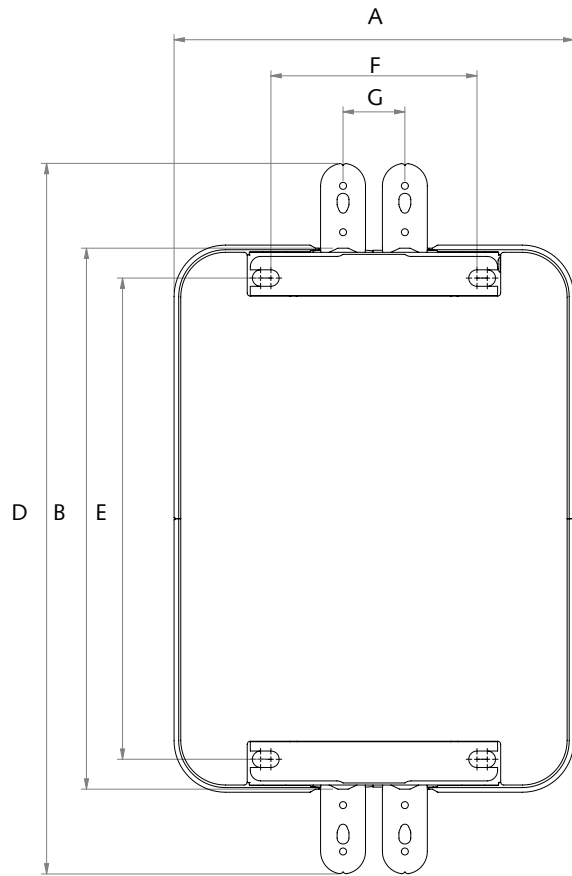
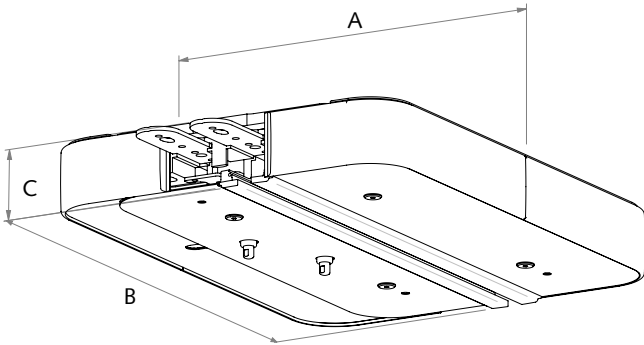


- Points allow you to access three or four places to transfer in one room or multiple rooms.
- Go where needed, the bed, toilet, bathtub, shower, change table or chair.
- Wireless remote control version is available.
- No separate power supply is required, the points are powered by the ceiling motor batteries.
- Rail profile allows the system to be installed flush to the ceiling in some situations.

Lift & Care systems for people with reduced mobility

[www.handimove.com](http://www.handimove.com)

# Points

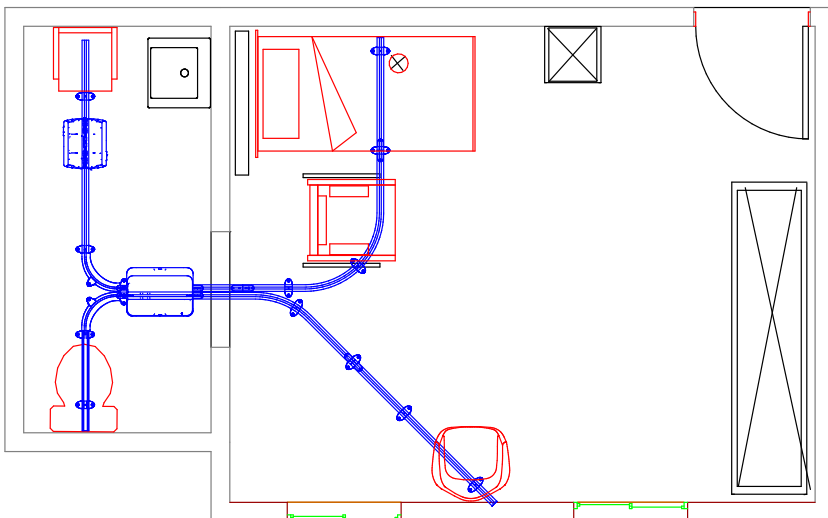


## ● Dimensions (mm)

A.....	388
B.....	531
C.....	71,5
D.....	690
E.....	467
F.....	200-220
G.....	60

## ● Technical specifications

Safe working load.....240 kg  
 Power supply..... Works on ceiling motor batteries  
 Material.....Aluminum painted, ELVZ steel, POM, ABS



For free demonstration or further information