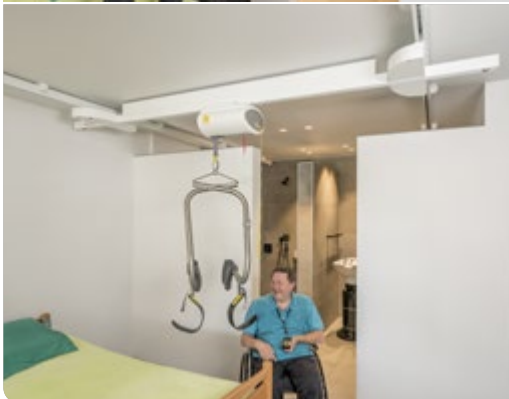


Model 3990-3992

Electric traverse rail

Full room coverage

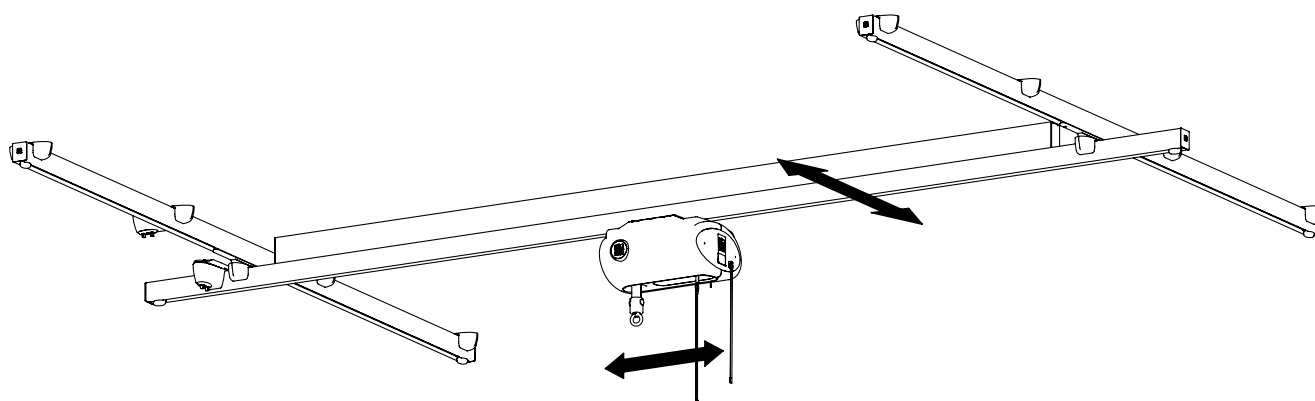


- Independent use in combination with the SureHands Body Support and the 2815 ceiling motor.
- A traverse rail system makes it possible to transfer anywhere in the room.
- Parallel rails can be mounted to the ceiling or wall to wall.
- Access an adjoining room with the traverse connector (optional).

Lift & Care systems for people with reduced mobility

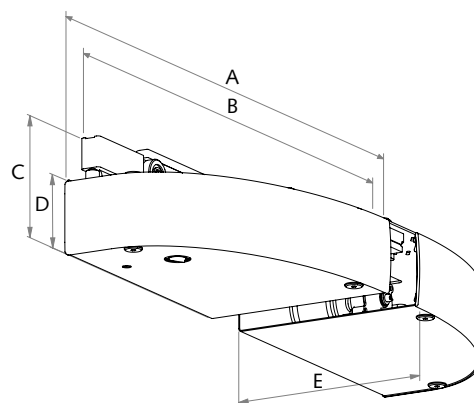
www.handimove.com

Electric traverse rail



● Dimensions (mm / inch)

A	602 mm / 23.7 inch
B	542.5 mm / 21.36 inch
C	118.5 mm / 4.66 inch
D	71.5 mm / 2.81 inch
E	196 mm / 7.72 inch



● Technical specifications

Safe working load..... 240 kg / 529 lbs
 Power supply..... Batteries 2 x 12 V DC / 3,2 Ah
 RailsAluminum lacquered white
 Acceleration and brake (soft start/stop)Electronic
 CoverABS, steel lacquered white
 Handcontrol Infrared
 Charger Input: 0,9 A 100-240 Vac 50-60 Hz, class II
 Output: 24 Vdc 1,2 A (type 2541)

For free demonstration or further information

