

Model 1620



Active hoist

A quick solution for toilet transfers



- For a quick transfer from seat to seat
- Highly mobile and compact
- Exchangeable battery box with integrated charger
- Adjustable knee support
- Emergency operation
- Safety belt for lower legs



Lift & Care systems for people with reduced mobility

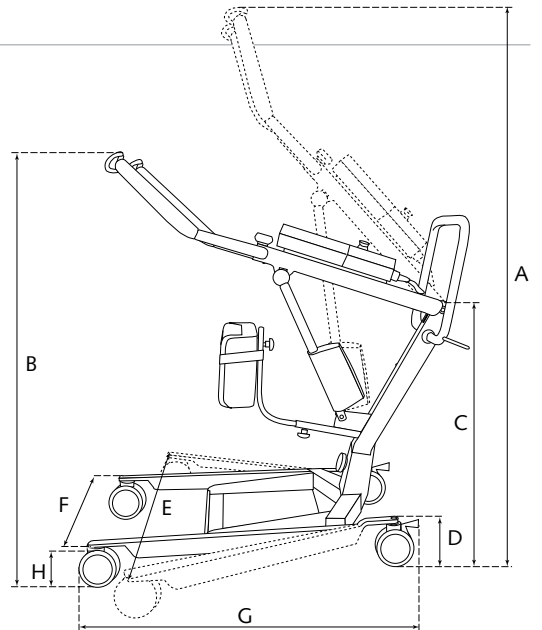
www.handimove.com

Active hoist

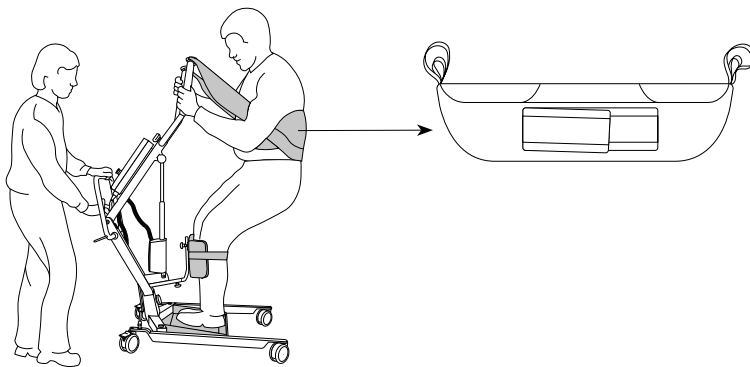
● Dimensions and specifications

A.....	Max. height	1690 mm
B.....	Min. height	1070 mm
C.....	Mast Height	740 mm
D.....	Base height	110 mm
E.....	Max. base width	920 mm
F.....	Min. base width	635 mm
G.....	Base length	990 mm
H.....	Caster height	100 mm

Safe working load	150 kg
Batteries	2 x 12 volt 2,9 ah rechargeable
Charger - input	220/230 V AC
Charger -output	27.4/29.0 V DC
Weight	43.5 kg
Emergency down	mechanical
Number of lifts with fully charged batteries	40

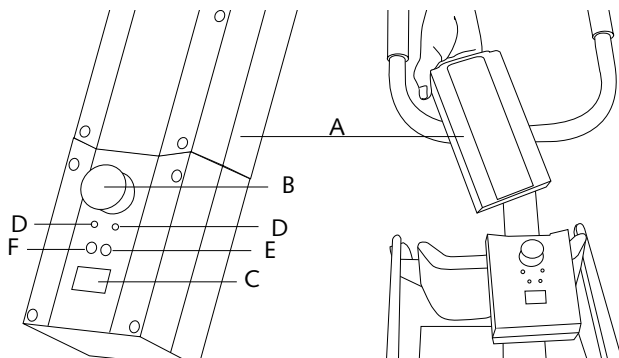


● Active sling



● Control box and removable battery box

A.....	Removable batterybox
B.....	Emergency switch
C.....	Battery status indicator (LCD)
D.....	Electrical emergency controls
E.....	Charging procedure indicator led
F.....	Charger current indicator led



For free demonstration or further information

