

Model 2610

# Mobile hoist Victor with Tilting spreader bar

Effortlessly from sitting to lying position



- For easy positioning in the wheelchair
- Simultaneous up/down and tilting adjustment with the hand control
- 360° rotation of the tilting spreaderbar
- Lifts twice as fast
- Designed for intensive use
- Electrically adjustable base
- Aluminium construction for easy care
- Exchangeable battery box or direct charging

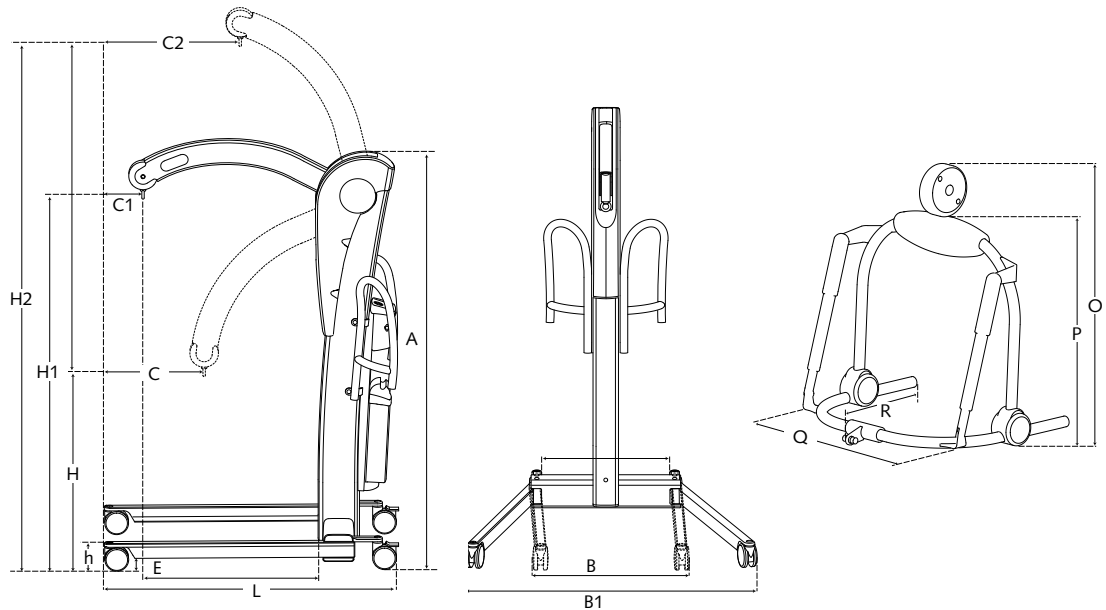
Lift & Care systems for people with reduced mobility

[www.handimove.com](http://www.handimove.com)

# Mobile hoist Victor with Tilting spreader bar

## ● Dimensions (mm)

A	1725
B	660
B1	1150
H	775
H1	1530
H2	2240
h	120
C	440
C1	170
C2	620
L	1275
E	54
O	620
P	500
Q	570
R	455



## ● Specifications

### Mobile hoist

Construction.....aluminium; gloss finish  
 Covers.....ABS  
 Weight.....58 kg  
 Motor/actuator.....24 Vdc, 13 A  
 ..... electric/hydraulic  
 Weight batterybox.....6,2 kg  
 Safe working load.....225 kg  
 Emergency switch..... present  
 Wheels:..... front  $\varnothing$  100 mm  
 ..... rear  $\varnothing$  100 mm with brakes  
 Emergency down..... mechanical  
 Noise..... 66 dBA  
 Battery-indicator..... acoustic  
 Batteries..... 2x12 Vdc; 7.2 Ah

Charger- in:.....0.9 A 100 - 240 VAC  
 .....50 - 60 Hz, klasse II  
 Charger- out:.....24 Vdc  
 ..... Max 1.3 A  
 Number of lifts when fully charged...160 lifts with 90 kg/distance 50 cm  
 Safety class.....IPx0  
 Charging time after signal.....4 hours  
 Wall-mount charger..... optional  
 Extra battery box..... optional

### Tilting spreader bar

Construction.....aluminium; gloss finish  
 Covers.....ABS  
 Actuators.....24 Vdc max 4 A

## ● Speeds

### Speed up

without load.....5,2 cm/sec  
 load 90 kg.....4,9 cm/sec  
 load 225 kg.....4,6 cm/sec

### Speed down

without load.....4,9 cm/sec  
 load 90 kg.....5,7 cm/sec  
 load 225 kg.....5,7 cm/sec

### Tilting spreader bar

Sitting to lying position.....14 sec. (without load)

For free demonstration or further information

