



Model 2620



Stand-Assist

No or very little pressure under the armpits

Comfortably and safely from sit to stand



- No or very little pressure under the armpits
- Hands and arms remain in a natural position next to the body at a safe distance of doorframes,...
- More natural stand-up movement (patented combined movement of lifting arm and user handle).
- Stable upright position, even for tall people.
- For a wider group of users: more people can be lifted actively.
- Compact and maneuverable in confined spaces.
- Goes easily through the doorway.



Lift & Care systems for people with reduced mobility

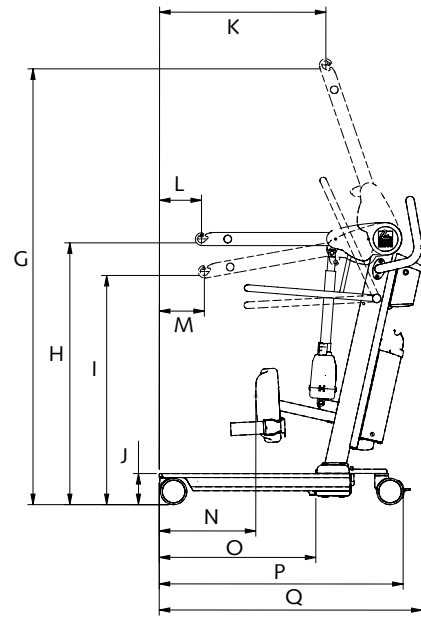
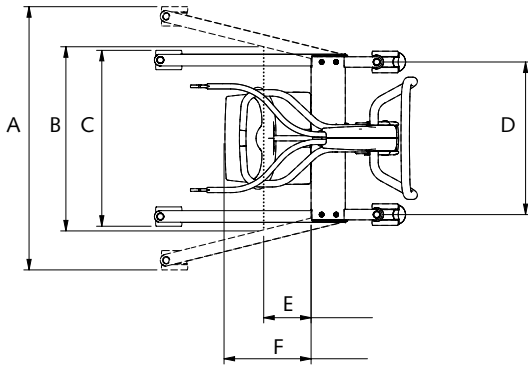
www.handimove.com

Stand-Assist . No or very little pressure under the armpits

● Dimensions (mm)

	mm	inch
A	1000	39.37
B	700	27.56
C	660	25.98
D	580	22.83
E	190	7.48
F	331	13.03

	mm	inch
G	1656	65.20
H	995	39.17
I	871	34.29
J	118	4.65
K	632	24.8
L	160	6.30
M	171	6.73
N	367	14.45
O	595	23.42
P	927	36.50
Q	1000	39.37

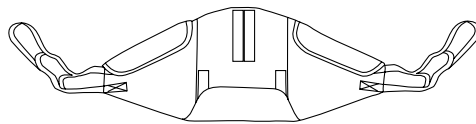
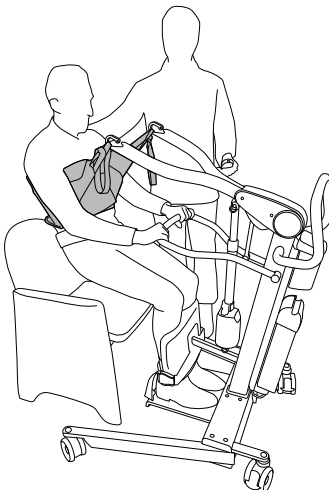


● Technical specifications

Construction..... Steel, aluminum; lacquered
 Covers..... ABS
 Weight..... 53.8 kg (118.61 lbs)
 Motor up/down..... elektrisch 24 Vdc, 9 A
 Weight battery pack..... 6.2 kg (13.67 lbs)
 Max lifting capacity..... 180 kg (396,83 lbs)
 Emergency stop switch..... available
 Aluminum casters..... front ø 100 mm (3.94 inch)
 rear ø 100 mm with break
 Opening/closing of U-shaped caster base.....electric 24 Vdc, 2,5 A
 Emergency down..... Mechanical
 Noise..... 50 dBA

Battery indicator..... Sound / visual
 Batteries..... 2x12Vdc; 6.5 - 8 Ah
 Charger - input..... 0.9 A 100 - 240 VAC
 50 - 60 Hz, Class II
 Charger - output:..... 24 Vdc
 Max 1.2 A
 Number of lifting movements
 when batteries are fully charged..... 160 at 90 kg (198 lbs)
 Safety class..... IPx0
 Charging time from signal..... 4 hours
 Wall charger..... Optional
 Extra battery pack..... Optional

● Active Sling



For free demonstration or further information

