

Model 3200

# Pool lift



From wheelchair to swimming pool with only one assistant



- Transfers directly from wheelchair to water
- On castors
- Rotates 360 degrees
- Easy to position
- Ergonomic design
- Battery powered
- Maintenance free
- Accommodates both the Body Support and slings

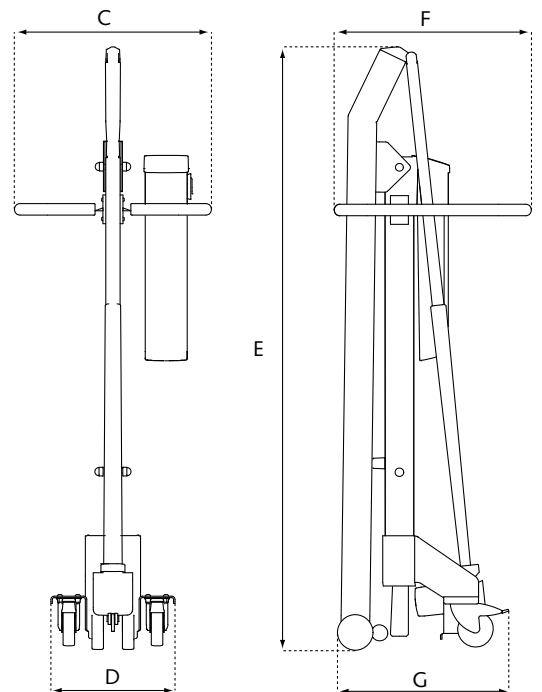
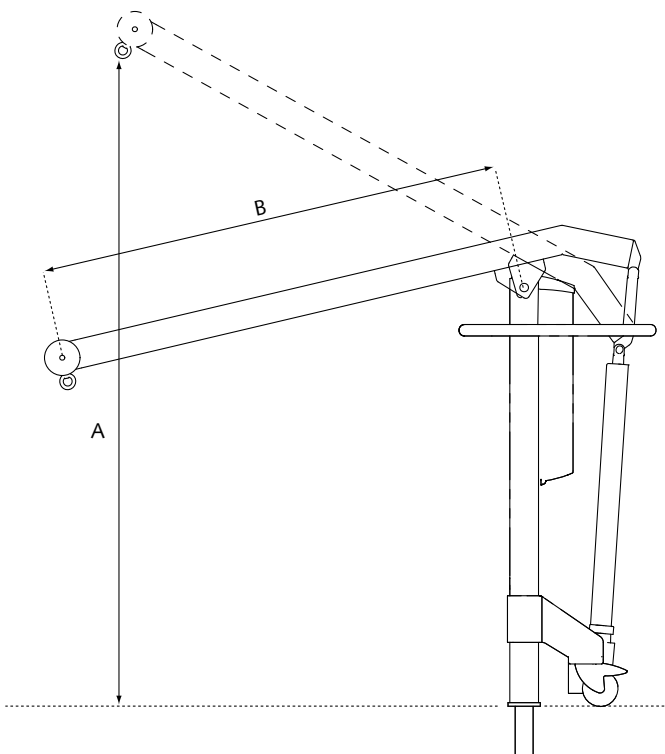
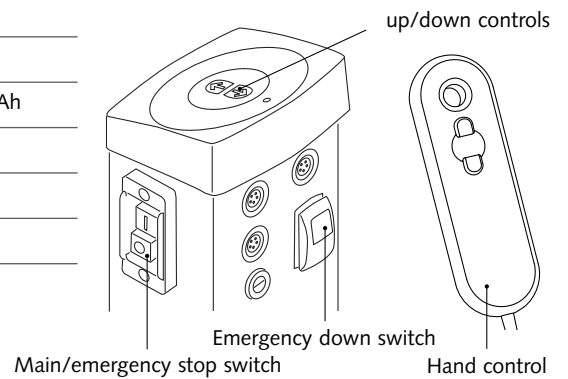
Lift & Care systems for people with reduced mobility

[www.handimove.com](http://www.handimove.com)

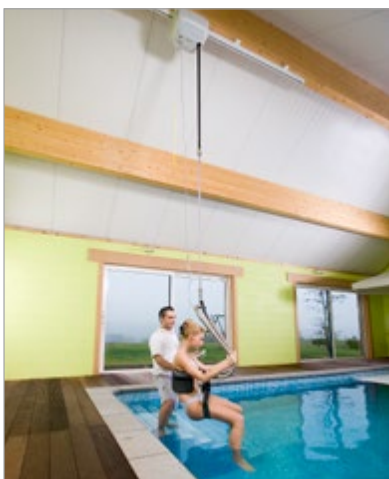
# Pool lift

## ● Dimensions and specifications

Dimensions (mm)		Specifications	
A	1840	Safe working load	135 kg
B	1305	Batteries	2 x 12 Vdc; 6,5 - 7,2 Ah
C	540	Charger	separate
D	350	Diameter of casters	100 mm
E	1700	Construction	stainless steel 316
F	550	Hand control	electrical (IP67)
G	500		



## ● Pool lift on track system



For free demonstration or further information

