

Handi-Move model 3471 S - M - L

Walking harness

Support during rehabilitation



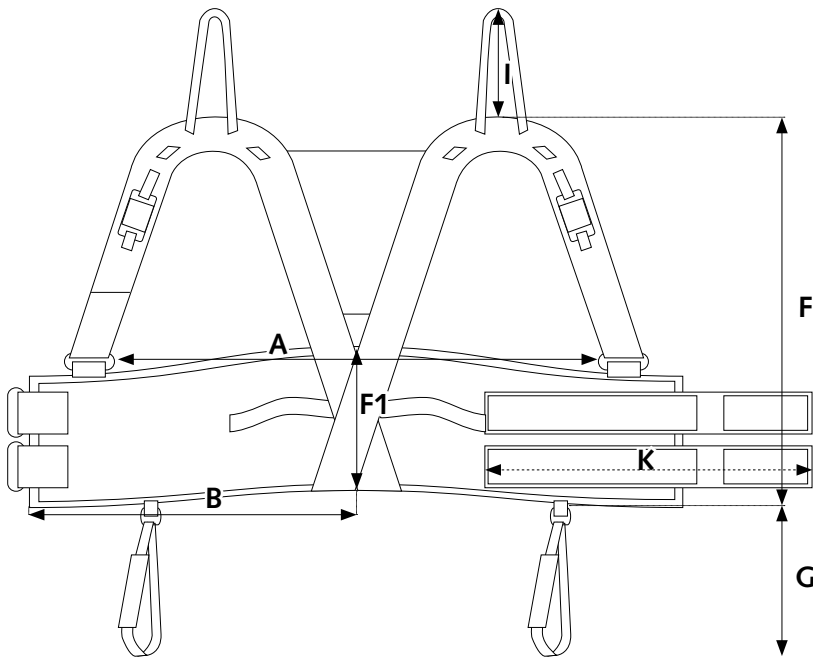
- Facilitates ambulation
- Supports body weight
- Prevents falling
- Adjustable to fit body shape
- Available in S, M and L

Lift & Care systems for people with reduced mobility

www.handimove.com

Walking harness

● Dimensions (cm)



	3471S	3471M	3471L
A	47	64	79
B	31	39	47
F (min/max)	35/54	37/56	39/58
F1	23	25	27
G	40	45	45
I	38	38	38
K	51,5	62,5	62,5

● Technical specifications

Material PVC, plastic, polyester
 Maximum load 225 kg

For free demonstration or further information